

MODEL NUMBER:
DC6G-100

**40 dB Dual
Directional Coupler**



The EMC Shop specializes in RF, Signal Integrity and Compliance testing, supplying dual directional couplers with RF power meters, RF power amplifiers and other RF test equipment.

SPECIFICATIONS

Frequency	700 MHz to 6 GHz
Coupling	40 dB \pm 1 dB:
Maximum Input Power	100 Watt
Flatness	\pm 1 dB Max.
VSWR	1.30:1 Max.
Directivity	15 dB Min. (20 dB Typical)

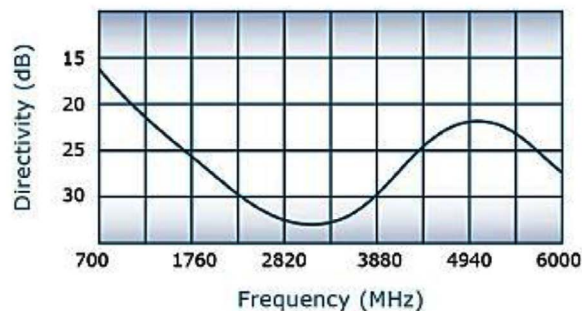
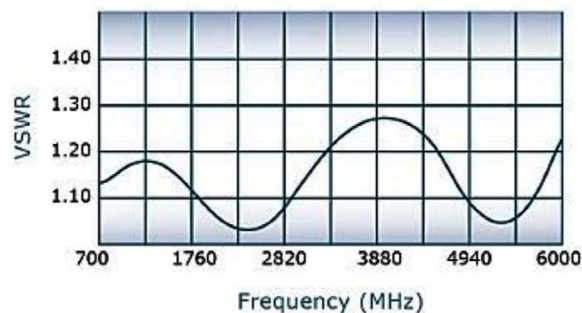
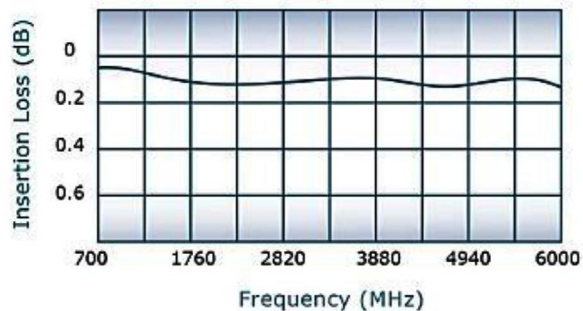
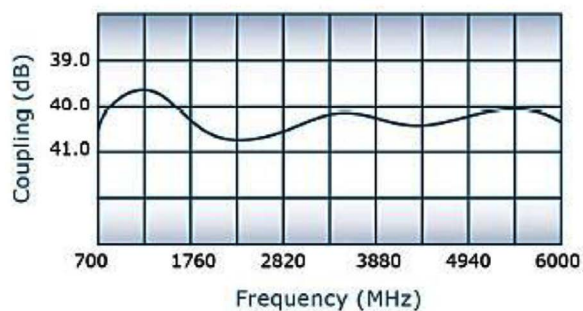
FEATURES

- Standard N-Type Connection (SMA and others upon request)
- Package with an RF Power Amplifier
- Suitable for IEC 61000-4-3, IEC 60601-1-2

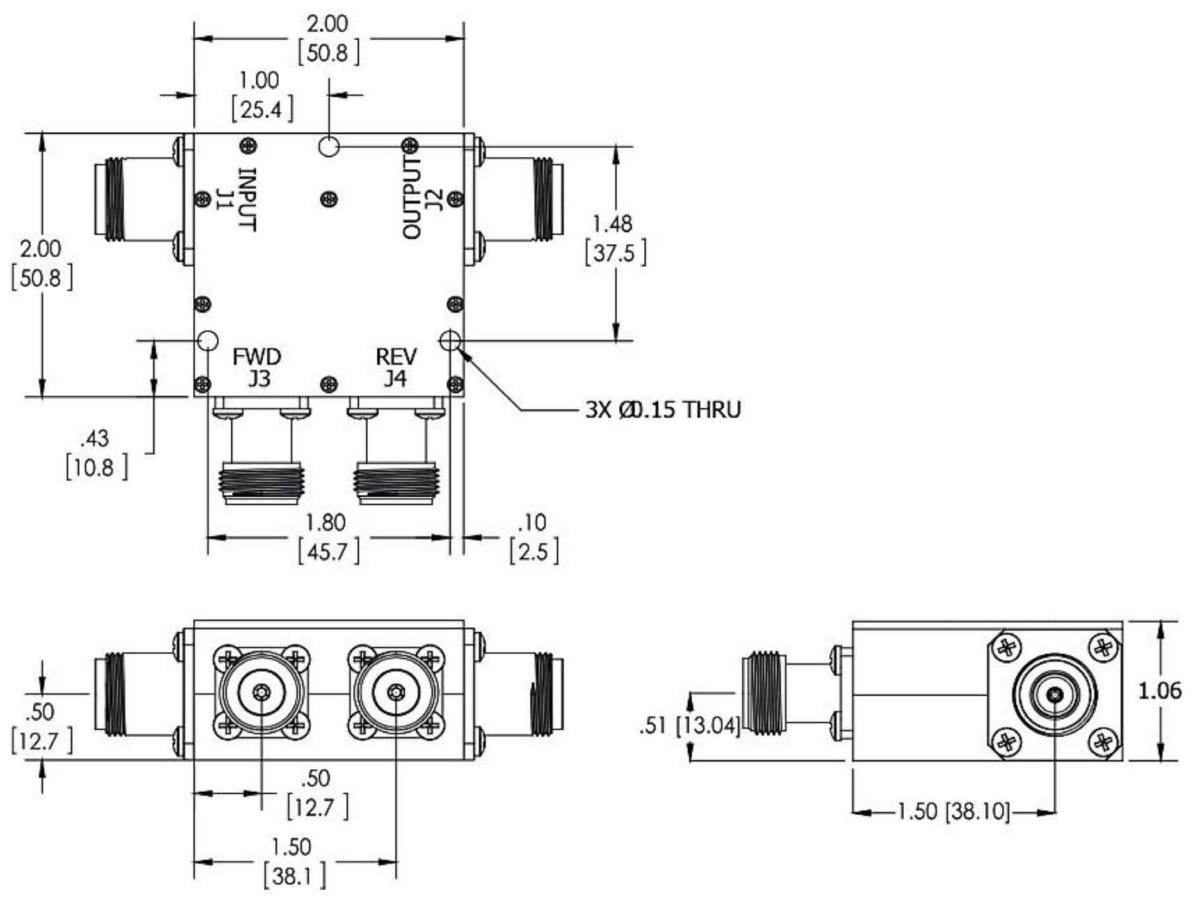
NOTES

- Does not included theoretical coupling loses
- All specifications guaranteed
- Test data provided with each unit shipped
- Operating Temperature: -55°C to + 75°C

Uni-Directional version available



Specifications subject to change without notice



DC6G-100-DAT-V1.0-7-2018

